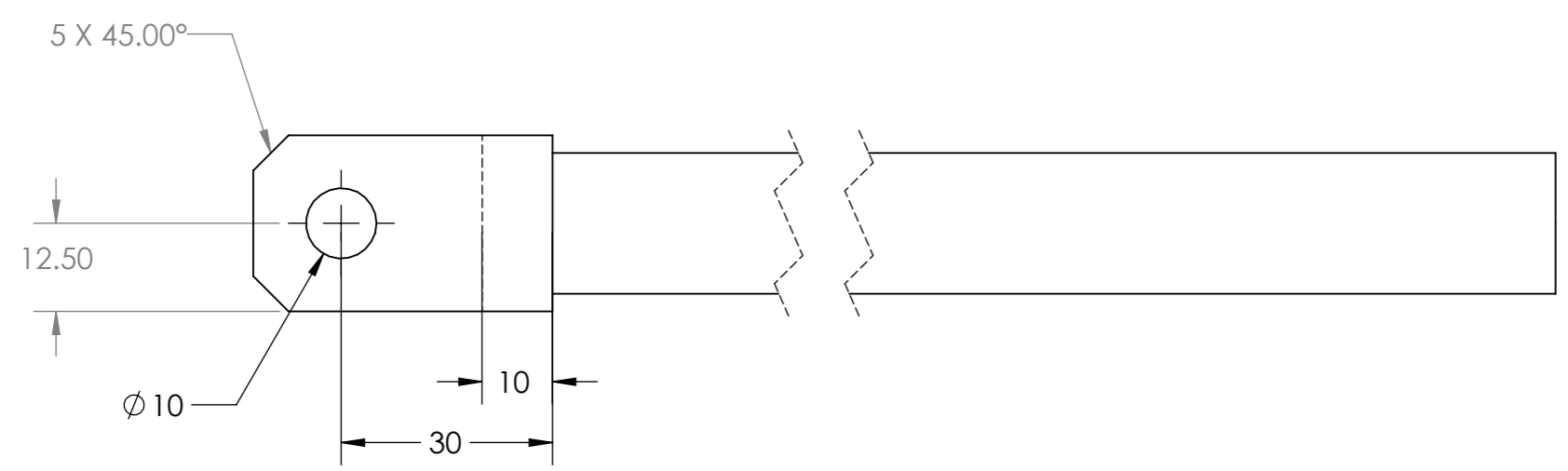
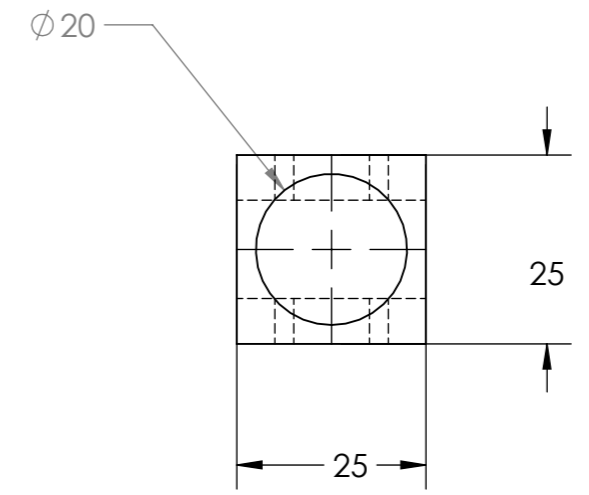
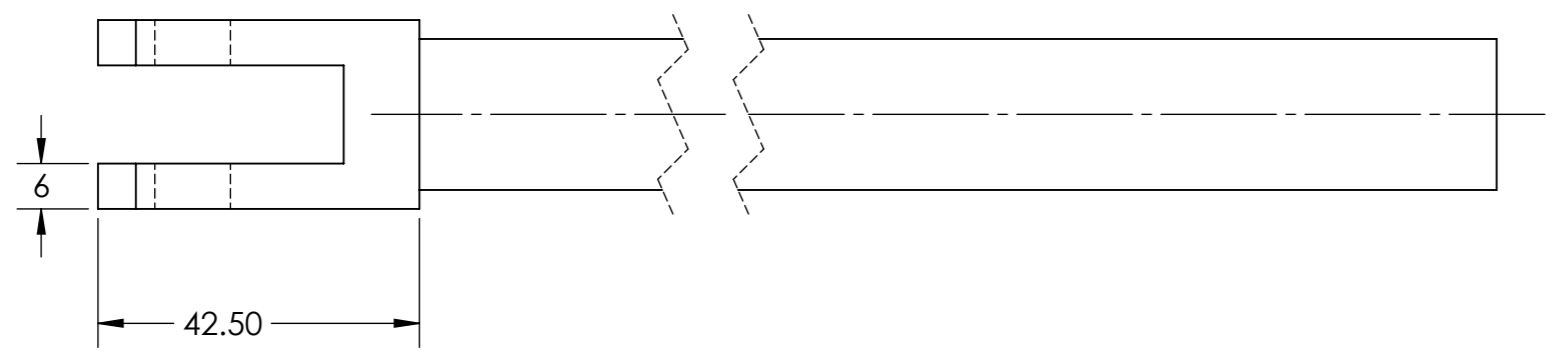


8 7 6 5 4 3 2 1

F
E
D
C
B
A

F
E
D
C
B
A



UNLESS OTHERWISE SPECIFIED: DIMENSIONS ARE IN MILLIMETERS SURFACE FINISH: $\sqrt{32}$ TOLERANCES: LINEAR: $\pm .020$ ANGULAR: $\pm .5^\circ$			FINISH:		DEBURR AND BREAK SHARP EDGES		DO NOT SCALE DRAWING		REVISION		
							TITLE: Problem 16- TORQUE ROD				
							DWG NO.				
							SCALE:1:5				
							SHEET 1 OF 1				
DRAWN Ashulosh Adhuria		SIGNATURE		DATE						A3	
CHK'D											
APPV'D											
MFG											
Q.A						MATERIAL:					
						WEIGHT:					

8 7 6 5 4 3 2 1