

6 5 4 3 2 1

D

D

C

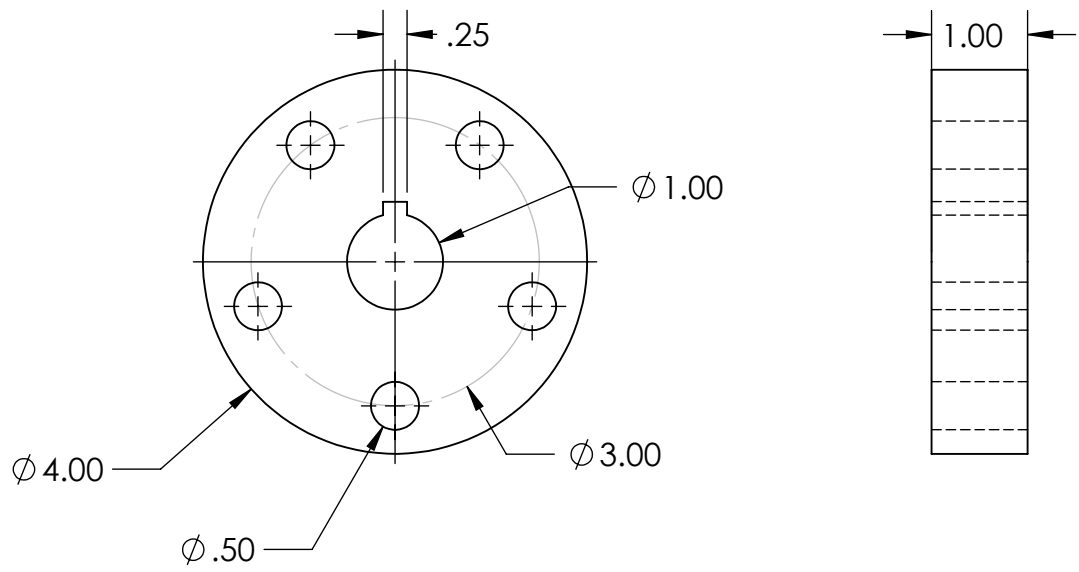
C

B

B

A

A



UNLESS OTHERWISE SPECIFIED: DIMENSIONS ARE IN MILLIMETERS SURFACE FINISH: $\frac{63}{32}$ ✓ TOLERANCES: LINEAR: <b><math>\pm .020</math></b> ANGULAR: $\pm .5^\circ$				FINISH:		DEBURR AND BREAK SHARP EDGES		DO NOT SCALE DRAWING		REVISION			
						<h1 style="text-align: center;">Problem 17- ADAPTER PLATE</h1>							
NAME		SIGNATURE		DATE								TITLE:	
DRAWN Ashulosh Adhuria													
CHK'D													
APPV'D													
MFG													
Q.A						MATERIAL:		DWG NO.		A4			
						WEIGHT:		SCALE:1:2		SHEET 1 OF 1			

6 5 4 3 2 1